

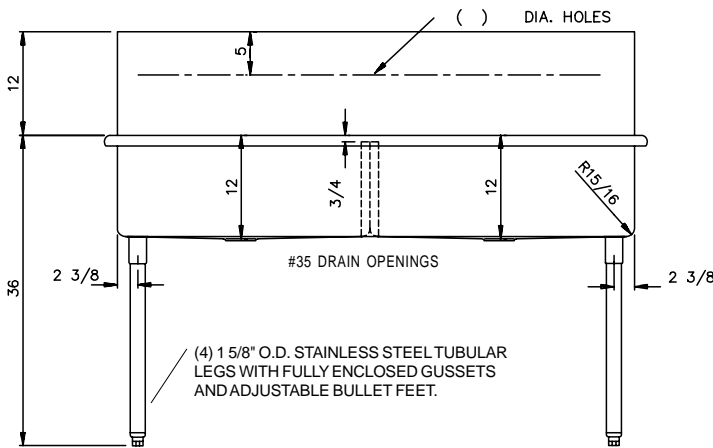
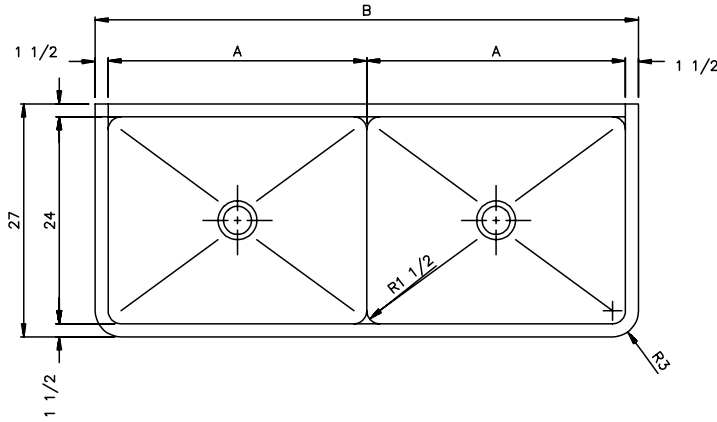


INSTITUTIONAL GROUP

NSFB-200-SERIES

**TWO COMPARTMENT
NO DRAINBOARD**

SUBMITTAL DATA



MODEL NO.	A	B
NSFB-230	15	33
NSFB-236	18	39
NSFB-242	21	45
NSFB-248	24	51
NSFB-260	30	63
NSFB-272	36	75
CUSTOM SIZE		

Models listed above will be fabricated according to Just Mfg. **drawing A-49004** based on the detail shown here. Custom size units will require a separate drawing, and based on the drawing shown above, modified as required. Drawing for custom size units will be supplied only after Just Mfg. Co. receives a billable purchase order for the required unit.

SPECIFICATION

Constructed of 14 gauge type 304, 18-8 stainless steel. Interior surfaces polished with a non-porous Hand-Blended Just Finish. Exposed exterior surfaces to have a brush finish. Supported on (4) 16 gauge 1 5/8" O.D. stainless steel tubular legs with stainless steel fully enclosed gussets and adjustable bullet feet. Drain punch #35 centered for Just J-35 unless otherwise specified. Certified to ANSI/NSF Standard 2.

To be specified :

- Faucet hole punching:
- Over partition(centered):**
- Over each Compartment (centered)**

Alternate Punching:

Faucet Model: _____

Punching required: _____

Holes punched at each location:

- (1) Hole Centered
- (2) Holes on 8" centers
- (3) Holes on 4 "centers

Standard

Depth - 12" Backsplash ht-12"
(Water level 9-1/2")

Alternate sizing

- 8" backsplash / 14" depth
- _____ backsplash
- _____ depth

FUNCTIONAL DESIGN, QUALITY, AND SPECIFICATIONS LISTED DESCRIBE THE JUST STANDARD OF QUALITY. WHEN MAKING COMPARISONS WITH OTHER OFFERINGS, INSIST ON THE JUST QUALITY OF CONSTRUCTION. FOR ADDITIONAL INFORMATION REGARDING THE COMPLETE LINE OF **JUST**SINKS, FAUCETS AND DRAINS, VISIT OUR WEB SITE AT www.justmfg.com

Job Name _____

Customer _____

Architect/Engineer _____

APPROVED FOR MANUFACTURING

MODEL NO. _____ QTY. _____

COMPANY _____

TITLE _____ DATE _____

SIGNATURE _____

JUST MANUFACTURING COMPANY

9233 KING STREET . FRANKLIN PARK . ILLINOIS . 60131-2111

PH: 847-678-5150

FAX: 847-678-6817

E-MAIL: custserv@justmfg.com

www.justmfg.com

REVISED-5/2004