

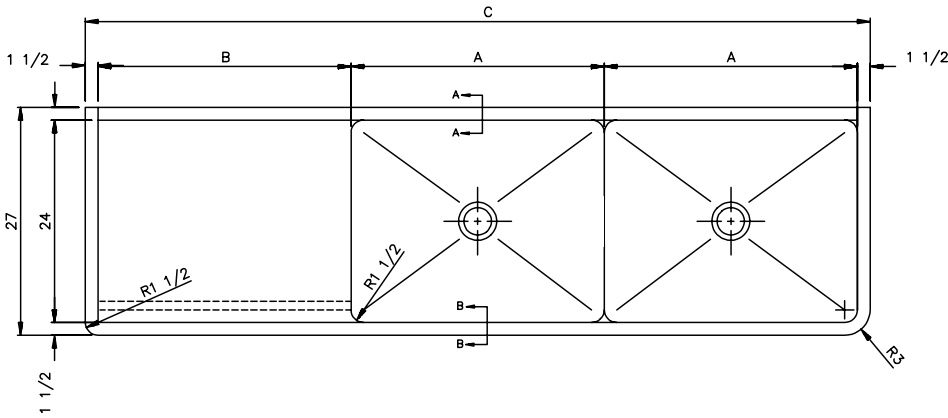


INSTITUTIONAL GROUP

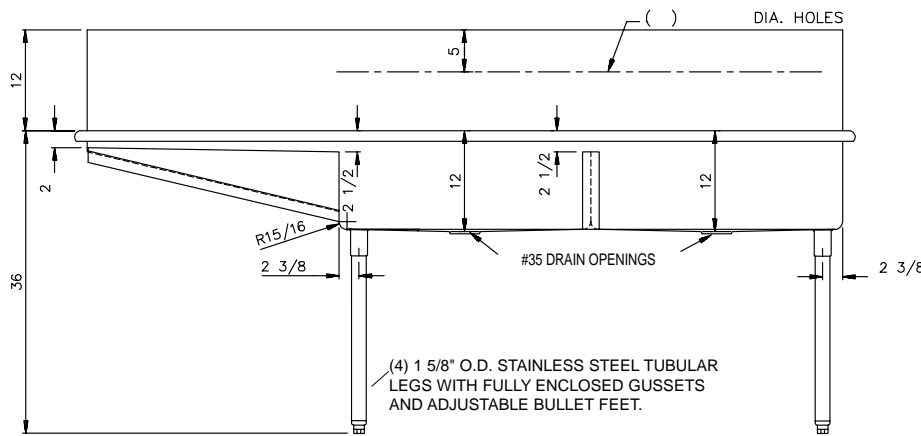
NSFB-200-L-SERIES

TWO COMPARTMENT SINGLE DRAINBOARD - LEFT

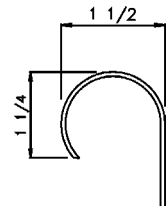
SUBMITTAL DATA



MODEL NO.	A	B	C
NSFB-230-24L	15	24	57
NSFB-236-24L	18	24	63
NSFB-242-24L	21	24	69
NSFB-248-24L	24	24	75
NSFB-260-24L	30	24	87
CUSTOM SIZE			



SECTION AA



SECTION BB

Models listed above will be fabricated according to Just Mfg. drawing A-49006 based on the detail shown here. Custom size units will require a separate drawing, and based on the drawing shown above, modified as required. Drawing for custom size units will be supplied only after Just Mfg. Co. receives a billable purchase order for the required unit.

SPECIFICATION

Constructed of 14 gauge type 304, 18-8 stainless steel. Interior surfaces polished with a non-porous Hand-Blended Just Finish. Exposed exterior surfaces to have a brush finish. Supported on (4) 16 gauge 1 5/8" O.D. stainless steel tubular legs with stainless steel fully enclosed gussets and adjustable bullet feet. Drain punch #35 centered for Just J-35 unless otherwise specified. Certified to ANSI/NSF Standard 2.

To be specified :

- Faucet hole punching:
- Over partition(centered):
- Over each Compartment (centered)

Holes punched at each location:

- (1) Hole Centered
- (2) Holes on 8" centers
- (3) Holes on 4 "centers

Alternate Punching:

Faucet Model: _____
Punching required: _____

Standard
Depth - 12" Backsplash ht-12"
(Water level 9-1/2")

Alternate sizing

- 8" backsplash / 14" depth
- _____ backsplash
- _____ depth

FUNCTIONAL DESIGN, QUALITY, AND SPECIFICATIONS LISTED DESCRIBE THE JUST STANDARD OF QUALITY. WHEN MAKING COMPARISONS WITH OTHER OFFERINGS, INSIST ON THE JUST QUALITY OF CONSTRUCTION. FOR ADDITIONAL INFORMATION REGARDING THE COMPLETE LINE OF JUSTSINKS, FAUCETS AND DRAINS, VISIT OUR WEB SITE AT www.justmfg.com

Job Name _____
Customer _____
Architect/Engineer _____

APPROVED FOR MANUFACTURING

MODEL NO. _____ QTY. _____
COMPANY _____
TITLE _____ DATE _____
SIGNATURE _____

REVISED-5/2004

JUST MANUFACTURING COMPANY

9233 KING STREET . FRANKLIN PARK . ILLINOIS . 60131-2111

PH: 847-678-5150 . FAX: 847-678-6817 . E-MAIL: custserv@justmfg.com . www.justmfg.com