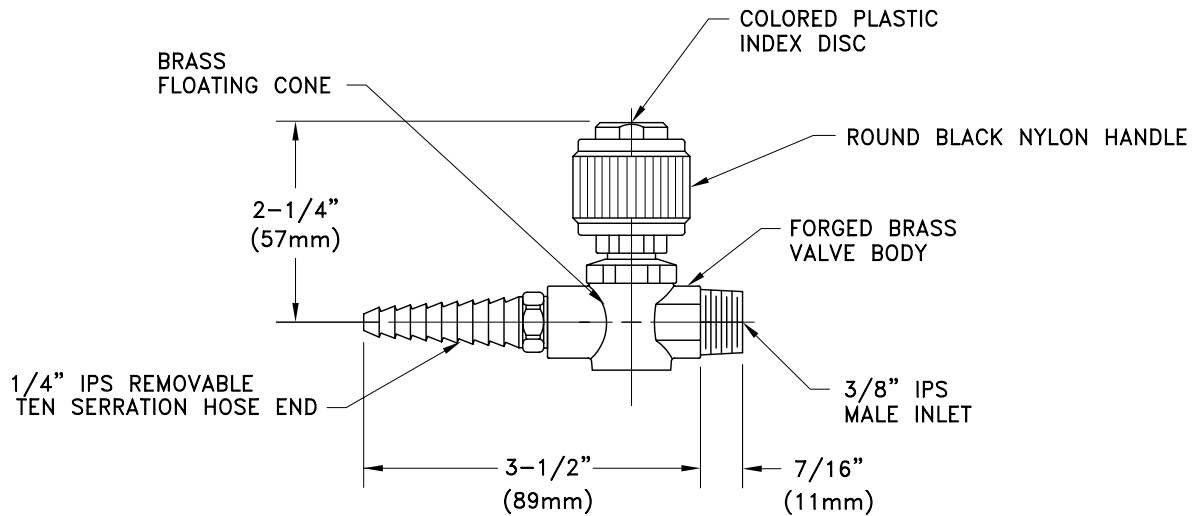
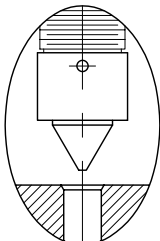


L2950

LABORATORY NEEDLE POINT COCK WITH REMOVABLE STRAIGHT SERRATED HOSE END



NONRENEWABLE BRASS
FLOATING CONE AND
INTEGRAL BRASS SEAT



MEASUREMENTS MAY VARY $\pm 1/4"$.

NOTES:

VALVE IS FACTORY ASSEMBLED AND TESTED AT 100 PSI. MAXIMUM WORKING PRESSURE IS 60 PSI.