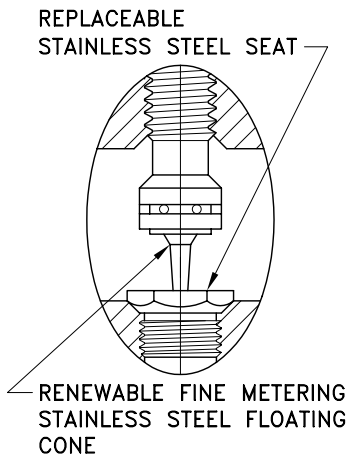
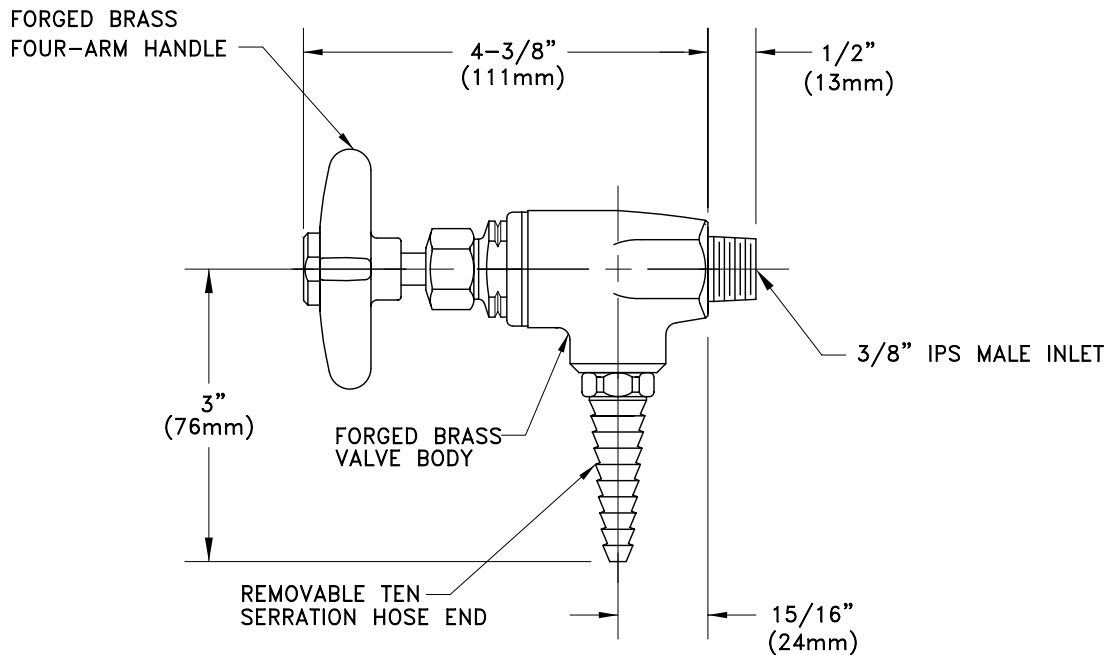


L3170

ANGLE PATTERN LABORATORY FINE CONTROL NEEDLE VALVE WITH STRAIGHT SERRATED HOSE END



MEASUREMENTS MAY VARY ±1/4".

NOTES:

1. SPECIFY IF CLEANING FOR OXYGEN OR OTHER PURE GAS SERVICE IS REQUIRED.
2. VALVES ARE FACTORY ASSEMBLED AND TESTED AT 300 PSI HELIUM PRESSURE. MAXIMUM WORKING PRESSURE IS 200 PSI.