



ISO 9001:2015 REGISTERED

**SCIENTIFIX** LLC  
LABORATORY FURNITURE  
& FUME HOODS

# MOTT RAPID SHIP

...when timing is everything

Ships within 15 business days or less

QUALITY BY DESIGN

[www.mott.ca](http://www.mott.ca)

## SIMPLE ORDERING STEPS FOR QUICKEST SHIPMENTS

In order to ensure fastest shipments, please follow these few simple steps:

1. Provide a purchase order noting "Mott Rapid Ship Program"
2. Include only Mott Rapid Ship (MRS) items on your Rapid Ship order
3. Double check to ensure complete and correct Rapid Ship catalog numbers are provided
4. Include complete shipping and contact information
5. Large orders may be subject to limitations on the quantities

## IMPORTANT MOTT RAPID SHIP FACTS

1. Part Numbers: All MRS orders must utilize specified MRS part numbers available on our website at [www.mott.ca/rapid-ship](http://www.mott.ca/rapid-ship). Configurations outside of what is displayed on the MRS program specification sheets are not available under the MRS lead times.
2. Purchase Orders: For MRS processing, please submit MRS items on separate purchase order and clearly indicate "Mott Rapid Ship". Purchase orders must include correct part numbers, pricing, reference a quote # if applicable, contain accurate contact information, and have a suitable address for material delivery. Do not combine MRS and non MRS items on the same purchase order. If an order is received with both standard and MRS line items, the MRS items will be broken out as a separate sales order and scheduled to ship separately. This additional step may delay processing.
3. Quantities: MRS items subject to available stock at time of order. Large orders may be subject to limitations on the quantities. Any orders above that quantity will be treated as a standard order and standard lead times will apply.
4. Fast Processing: If a clean purchase order is received by Mott Manufacturing by noon EST, it will be entered within the same business day. Clean purchase orders received by Mott Manufacturing after 12:00PM EST will be entered by the end of the next business day. Once the order is processed, an email confirmation will be sent with the sales order number and estimated lead time.
5. Lead Times: MRS orders will ship within 15 business days as calculated from the time of sales order confirmation. All ship dates are estimated, and 15 day lead times do not include weekends or holidays.
6. Change Orders: Change orders and order cancellations cannot be accepted once a MRS order is processed by Mott Manufacturing.
7. Freight and Shipping: Orders will ship complete based on longest lead-time item. MRS orders will ship within 15 business days as calculated from the time of sales order confirmation, and freight will be arranged through the dealer.
8. Returns: No returns, exchanges, or restocking can be accepted for MRS items. All sales are final.
9. Disclaimer: Mott Manufacturing reserves the right to modify this program at any time. Refer to the Mott Manufacturing website at [www.mott.ca/rapid-ship](http://www.mott.ca/rapid-ship) for MRS program updates and information.
10. Warranty: Standard Mott Manufacturing warranties applies to MRS items.

CABINET CONSTRUCTION

Construction style: Inset steel  
 Hardware: Brushed aluminum wire pulls and stainless steel five knuckle hinges  
 Drawers: 100 lb. nylon tire suspended drawers are self closing during the last 6" of travel  
 Shelves: Adjustable in 1/2" increments  
 Color: All MRS products are offered in Warm Gray (#601006) and Bright White (#693226)

BASE CABINETS

Door Units



Item Number

1410011

- 36" wide, 34-3/4" high, 22" deep.

Door/Drawer Units



Width	Right Hinged	Left Hinged	# of Doors
18"	1110022	1110222	1
30"	1310022	-	2
36"	1410022	-	2

- 34-3/4" high, 22" deep.

Drawer Units



Width      Item Number

18"      1110044  
 24"      1210044

- 34-3/4" high, 22" deep.

SINK CABINETS

Sink Units



Item Number

1418022

- 36" wide, 34-3/4" high, 22" deep.
- Sink base bottoms are powder coated galvanized steel.

Sink Support Kit



Item Number

SSK1036

- Metal frame to support and position an under mount sink.

WALL CABINETS

Hinged Framed Glass Door Units



Width	Right Hinged	# of Doors
18"	5110030	1
36"	5410030	2

- 30" high, 14" deep.

Hinged Door Units



Width	Right Hinged	# of Doors
18"	5110060	1
36"	5410060	2

- 30" high, 14" deep.

MISCELLANEOUS COMPONENTS

Gable Legs



Width	Item Number
22"	GLS1022
29"	GLS1029

- Gable Legs are used to support wall and island counter tops or aprons where base cabinets are not required.
- Comes complete with wall mounting channel.
- 1-1/2" wide, 34-3/4" high.

Apron Units



Width	Item Number
30"	AUC0130
36"	AUC0136

- Aprons provide a work area from a seated position.
- 3-3/4" high, three piece adjustable construction.
- 22" deep.

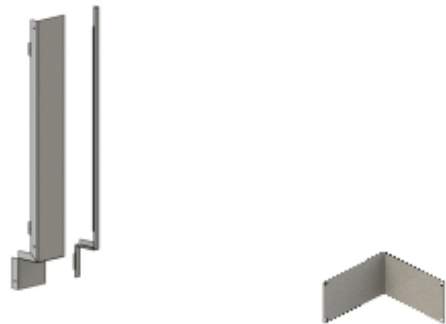
Apron Service Covers



Width	Item Number
30"	SCP3030
36"	SCP3036

- Apron Service Cover panels are used to conceal open spaces and services below aprons. 31" to meet standing height.
- Attaches to adjacent cabinets and meets the bottom of the apron.
- Assembly includes single angles for attachment to adjacent cabinets. Upper panel is removable to allow access to the services. The lower panel stays fixed in order to apply the coved base and overlapping the lower and upper panel allows to accommodate for uneven floors.

Front Filler Scribes



Width	Right Hand	Left Hand
4"	FFR1004	FFL1004
14"	FFR1014	FFL1014

- The Front Filler Scribe is commonly used to close a space between a base cabinet and a wall.
- A double angle is provided to enclose the raw edge of the panel.
- 34-3/4" standing height.
- Right hand Front Filler Scribe shown, left hand fillers reverse of what is shown.

Item Number
9900001

- Toe space filler required for corner applications.

End Cover Panel Scribes

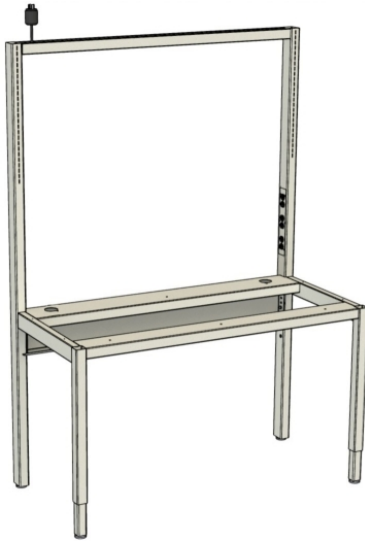


Width	Item Number
1"	ECS1001
7"	ECS1007
11"	ECS1011
12"	ECS1012
14"	ECS1014

- End Cover Panel Scribes are used to close spaces between the back of a base cabinet and a wall.
- The Scribe feature allows for easy width adjustment in the field.
- 34-3/4" standing height.

ALTUS™ TABLE SYSTEMS

Assembly



Width	Item Number
48"	ATS2948
60"	ATS2960
72"	ATS2972

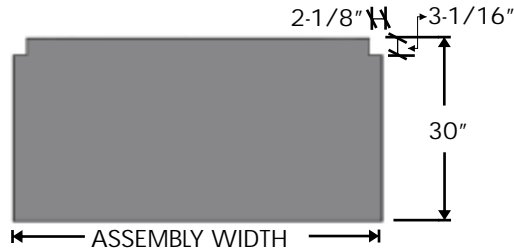
- Overall assembly is 84" high, 29" deep with 2" X 3" deep rear posts, 2" square tubular front legs with leveling feet. Table frame is an all-welded construction. Cantilevered table frame is height adjustable in 1" increments from 29" to 36" (work surface not included). Overall depth of assembly does not include work surface.
- Complete with hanging rails to suspend lower cabinets.
- A maximum of three fixtures are available on the plumbing post (must be ordered separately).
- Three white duplex electrical receptacles are standard on side electrical post.
- Shipped partially assembled.

TYPICAL ELECTRICAL PLUG DETAIL

Tables are typically equipped with NEMA L5-20P locking plugs. Each assembly is supplied with four feet of white electrical cord. Requires one 120V, 20A circuit.



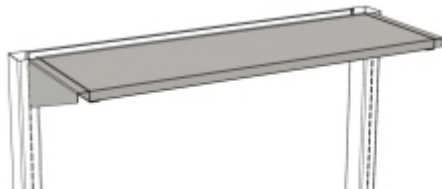
Work Surfaces



Width	Black Phenolic	Black Epoxy
48"	PAL3048	EAL3048
60"	PAL3060	EAL3060
72"	PAL3072	EAL3072

- 1" thick black phenolic resin or black epoxy with 1/8" (3mm) beveled edges (Note: cutouts for uprights are not beveled).
- 1" overhang at front.

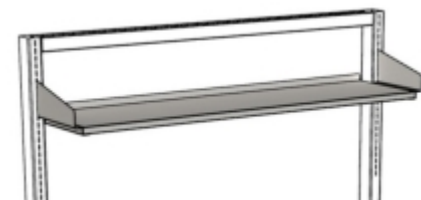
Top Steel Shelf Assemblies



Width	Item Number
48"	AAS1248
60"	AAS1260
72"	AAS1272

- Assembly includes one 1" thick 12" deep shelf and a pair of 12" deep brackets. Suitable for Altus™ only.
- Shelves are adjustable in 1" increments.

Steel Shelf Assemblies



Width	Item Number
48"	SAA1248
60"	SAA1260
72"	SAA1272

- Assembly includes one 1" thick shelf, one rear shelf angle, one 12" deep shelf and a pair of brackets. (9" brackets for 12" deep assembly). Suitable for Altus™ only.
- Shelves are adjustable in 1" increments.

**ALTUS™ TABLE SYSTEMS**

**Female Ceiling Quick Connect Fittings**

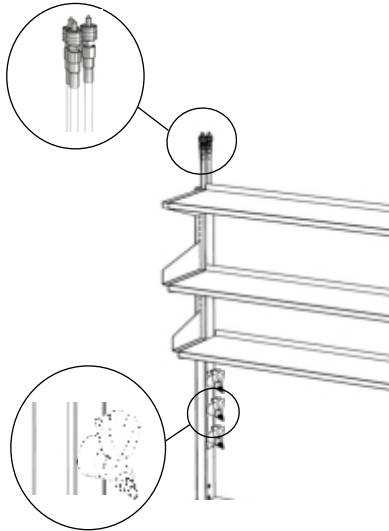


The customer is responsible for ensuring that internal piping and components meet local codes and standards. In some jurisdictions on-site inspection and testing may be required, this service is not provided by Mott Manufacturing.

Service	Band Color	Item Number
AIR	ORANGE	MCPVAIR
ARG	VIOLET	MCPVARG
CW	GREEN	MCPVCWT
GAS	BLUE	MCPVGAS
HE	BLACK	MCPVHEL
NIT	BROWN	MCPVNIT
VAC	YELLOW	MCPVVAC

- These parts are shipped loose.
- A panel mounted stainless steel keyed quick connect body is suitable for panel mounting on overhead service carriers and Ceiling Service Panels with stainless steel hoses.
- A panel mounted brass keyed quick connect body is suitable for panel mounting on overhead service carriers and Ceiling Service Panels with PVC hoses.
- Complete with 3/8" NPT inlet.
- Only plug and body quick connects of the same color will couple and allow flow.

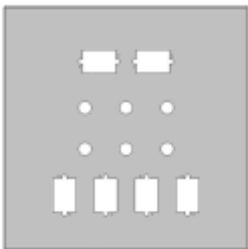
**Service Assemblies**



Service	Band Color	White Hose	Stainless Steel
AIR	ORANGE	ASAPAIR	-
ARG	VIOLET	ASAPARG	-
CW	GREEN	ASAPCWT	-
GAS	BLUE	-	ASASGAS
HE	BLACK	ASAPHEL	-
NIT	BROWN	ASAPNIT	-
VAC	YELLOW	ASAPVAC	-

- These parts are shipped loose.
- Assembly complete with panel mounted single service fixture (Needle Valve supplied, Note: \*Cold Water is supplied with ball valve), keyed quick connect plug and hose.
- Corrugated gas appliance connector with stainless steel keyed quick connect is supplied for natural gas.
- These assemblies are only suitable for the Altus™ Tables.
- Supplied with four feet of service lines above table height.
- Only plug and body quick connects of the same color will couple and allow flow.
- Fixtures may not be exactly as shown.
- Epoxy coated fixtures.

**Ceiling Service Panels**

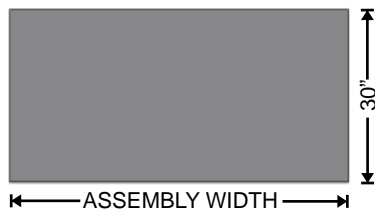


Width	Item Number
20"	OSP0002

- Powder coated steel panel takes the place of a standard ceiling tile.
- Offers the ability to mount and disconnect quick connect service fixtures, electrical and data outlets.
- Dimension 23-3/4" x 23-3/4".
- 6 service access holes and 6 electrical cutouts.
- Panel is compatible with most T grid acoustical suspended ceiling structures.
- Fixtures must be ordered separately.

ALTUS™ TABLE SYSTEMS

Four Leg Table



Width	Item Number
48"	ATF2848
60"	ATF2860
72"	ATF2872

- Table frame is an all-welded construction, 28" deep with 2" square tubular legs with leveling feet. Table frame is height adjustable in 1" increments from 29" to 36" (work surface not included).
- Table frame complete with hanging rails to suspend lower cabinets.
- Shipped assembled.

Width	Black Phenolic	Black Epoxy
48"	PAT3048	EAT3048
60"	PAT3060	EAT3060
72"	PAT3072	EAT3072

- 1" thick black phenolic resin or black epoxy with 1/8" (3mm) beveled edges.
- Provides 1" overhang on front and back.

SUSPENDED CABINETS FOR SIGMA CART™ & ALTUS™ TABLES

Door/Drawer Suspended Units



Width	Item Number
18"	1150022
24"	1250022

- Right hinged suspended door/drawer cabinets are 24" high x 22" deep.
- Cabinets receive one shelf.
- Cabinets have a welded top and back.

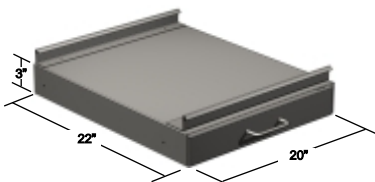
Drawer Suspended Units



Width	Item Number
15"	1950044
18"	1150044
24"	1250044

- Suspended drawer cabinets are 24" high x 22" deep.
- Cabinets have a welded top and back.

Pencil Drawers



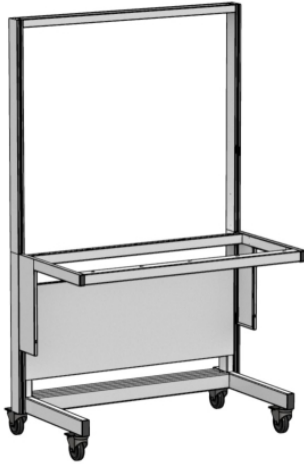
Width	Item Number
20"	PEN0020

- Pencil Drawer suspends from tables with hanging rails.
- Drawer on Pencil Drawer is supplied with full extension runners.



SIGMA CARTS™

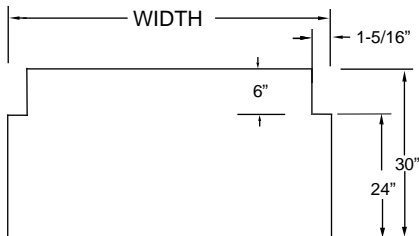
Full Height Cart Assembly



Width	Item Number
48"	MWS1048
60"	MWS1060
72"	MWS1072

- One piece full height cart assembly is 78" high and comes complete with cantilevered table frame, height adjustable in 1" increments (work surface not included).
- Overall depth of cart is 30" deep with 23" deep table frame.
- Shelves can be installed above and below work surface (accepts standard Sigma Cart™shelves).
- Hanging rails are included on table frame to suspend lower cabinets.
- Total lock steel swivel casters are standard on this cart.
- Cart ships assembled.

Work Surfaces



Width	Black Phenolic	Black Epoxy
48"	PSC3048	ESC3048
60"	PSC3060	ESC3060
72"	PSC3072	ESC3072

- 1" thick black phenolic resin or black epoxy with 1/8" (3mm) beveled edges (Note: cutouts for uprights are not beveled).
- 1" overhang on front.

Sigma Cart™ Shelves



Width	Item Number
48"	FSH1248
60"	FSH1260
72"	FSH1272

- 12" deep shelf suitable for any Sigma Cart™.
- Attach to shelf brackets with screws (screws not included).
- Nominal widths.

Sigma Cart™ Shelf Brackets



Width	Item Number
48"	FSB0012

- Pair of 12" deep steel end brackets designed to fit Sigma Cart™ Shelves.
- Adjustable in 1" increments.
- Brackets only compatible Sigma Cart™.

## SPECIALTY CABINETS

### Acid Storage Units



24" wide



30" and wider

### Polyolefin Vent Sets



#### Item Number

PVSS

- Polyolefin Vent sets are for venting Acid Storage units (Not recommended for flammable storage cabinets).
- Flexible corrugated vent tube is eight feet long and comes with fitting to attach to rear of cabinet.

Width	Right Hinged	Left Hinged
24"	1231011	1231211
30"	1331011	-
36"	1431011	-
48"	1531011	-

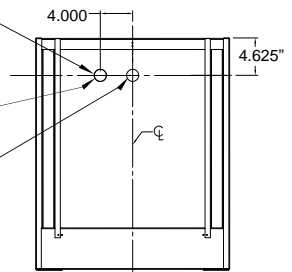
- Acid cabinets are 34-3/4" high x 18" deep (single door right hinged unit shown).
- Acid cabinets are lined with a chemically resistant molded polyethylene liner. Removable liner is held in place with capped stainless steel screws and has a vent connection.
- Cabinet has one chemical resistant phenolic shelf.
- Cabinets are marked "ACID" - in red letters.
- Note: Acid Cabinets must be vented. Mott recommends venting acid cabinets with a Polyolefin Vent Kit (PVSS).

#### Acid Cabinet Rear View

2" DIA Female National Pipe Thread vent connection on cabinets with Molded Tub Liners and 1-1/2" Plain Hole on cabinets with FRP Liners

Vent hole location for all SINGLE DOOR Acid Cabinets

Vent hole location for all DOUBLE DOOR Acid Cabinets



### Insulated Solvent Units



24" wide



30" and wider

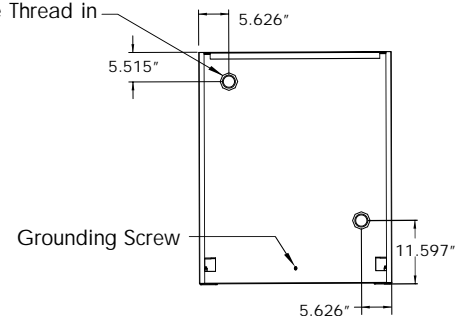
Note: Fire code does not require Solvent Cabinets to be vented. Do not vent Solvent Cabinets to fume hood. If cabinet must be vented use fireproof pipe. Contact Mott for details.

Width	Right Hinged	Left Hinged	US Gallons	Litres
24"	1232011	1232111	13.2	50
30"	1332011	-	13.2	50
36"	1432011	-	19.8	75
48"	1532011	-	26.4	100

- Insulated Solvent Units are 34-3/4" high x 18" deep (single door right hinged unit shown).
- Fabricated with a 2" insulated double wall and are approved to UL1275, and meet National Fire Protection Association standards.
- The floor of the cabinet has a 2" deep liquid tight spill containment pan.
- Doors are mounted on continuous hinges with a three point locking self latching handle. Optional self closing doors are also available.
- Each cabinet has two 2" diameter vents in the rear of the cabinet, complete with flame arrestor and vent covers.
- Each cabinet has one powder coated steel shelf.
- Cabinets are marked "FLAMMABLE KEEP FIRE AWAY" - in red letters.

#### Solvent Cabinet Rear View

2" DIA Female National Pipe Thread in two places as shown



### Self Closing Kits



Description	Item Number
For a 36" wide Solvent Cabinet	SCK0036
For a 48" wide Solvent Cabinet	SCK0048

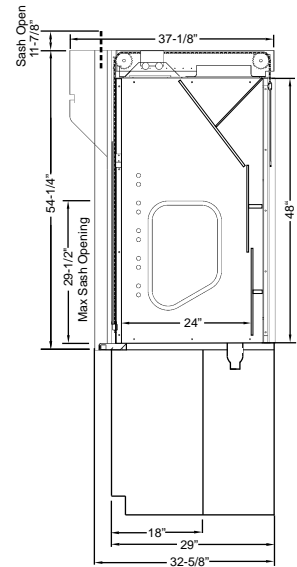
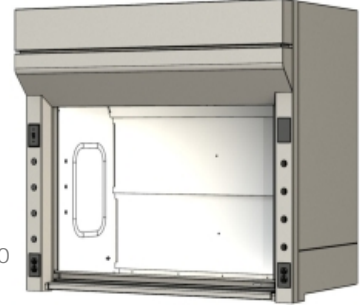
- Self Closing Kits for Solvent Cabinets require field installation.

**SAFEGUARD™ BENCH FUME HOOD - VERTICAL SASH**

**Features**

The SafeGuard™ Constant Air Volume (CAV) fume hood has been developed to meet the challenging safety, energy conservation, and operational requirements of today's laboratory. Standard features:

- Designed for 60-100 feet per minute face velocities.
- Air flows through the downward directed bypass.
- Vertical rising sash with chain and sprocket sash counterbalance system.
- Low profile powder coated, type 316 stainless steel hinged airfoil is flush with work surface.
- 34" high sash glass allows for superior visibility of the fume hood interior.
- FRP lined.
- UL/CSA approved LED light fixture that provide a minimum work surface luminescence of 100 foot candles and a corner post mounted UL/CSA approved switch.
- Two UL/CSA approved duplex receptacles, 120 volt service - one receptacle on each post.
- Two corner posts pre-punched to accept a maximum of four plumbing fittings per post.
- Removable interior access panels and removable exterior side panels.
- Auto sash leveler automatically closes to the 18" height which decreases exhaust air and offers extra protection to the operator. Plastic latch temporarily secures the sash in the full open position for setup and teardown.
- Stainless steel round exhaust collar.
- UL 1805 Classified. Meets all ASHRAE 110 Standards.

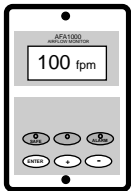


**Vertical Rising Sash**

Width	Item Number
48"	7271040
60"	7371040
72"	7471040

EXHAUST PARAMETERS		60 FPM		80 FPM		100 FPM	
		29-1/2" MAX		18" MAX		18" MAX	
		SASH OPENING		SASH OPENING		SASH OPENING	
Hood Size	Duct Size	CFM	SP	CFM	SP	CFM	SP
48"	10"	481	0.08	385	0.05	481	0.08
60"	12"	631	0.07	505	0.04	631	0.07
72"	12"	781	0.10	625	0.06	781	0.10

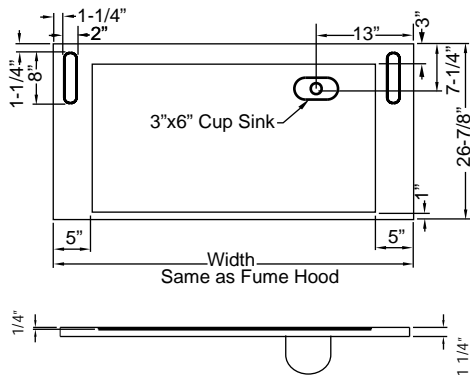
**Audio/Visual Fume Hood Alarm**



Item Number
ALARM04

- The fume hood velocity alarm is used to make sure that the face velocity does not drop below an unsafe level.
- Digital display of face velocity.
- Ships loose.

**SafeGuard™ Work Surfaces**



Width	Black Phenolic	Black Epoxy
48"	SPR2748	SFR2748
60"	SPR2760	SFR2760
72"	SPR2772	SFR2772

- Black phenolic or black epoxy work surface with cupsink on right side for SafeGuard™ fume hoods.
- Cup sinks are located for 18" deep fume hood base cabinets.

**Cup Sink Cover**    Black Phenolic    Black Epoxy



PFC0000	EFC0000
---------	---------

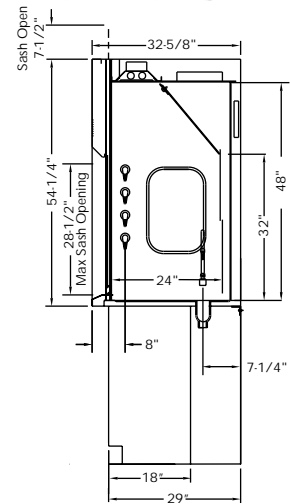
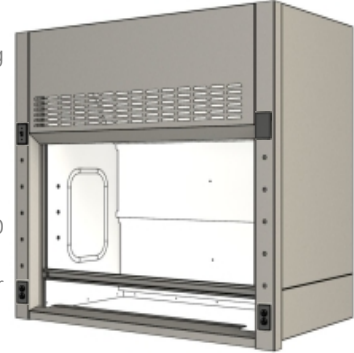
- Black phenolic or black epoxy cup sink cover fits over standard 3" x 6" cup sink.

**PRO CONSTANT VOLUME BENCH FUME HOOD - VERTICAL SASH**

**Features**

This all purpose fume hood is designed to meet most laboratory Constant Air Volume (CAV). Designed to mount on a 30" deep counter top. The Pro bench mounted fume hood is supplied with the following standard features:

- Vertical rising sash with stainless steel cable system.
- An automatic compensating upper by-pass.
- A lower airfoil by-pass with electrical cord notches.
- FRP lined.
- A UL/CSA approved LED light fixture that provide a minimum work surface luminescence of 100 foot candles and a corner post mounted UL/CSA approved switch.
- Two UL/CSA approved duplex receptacles for 120 volt service - one receptacle on each corner post.
- Both corner posts pre-punched to accept a maximum of five plumbing fittings per post.
- Right corner post pre-punched to accept standard Alnor1000 alarm cutout.
- Removable interior access panel in each side wall. Removable exterior side panels.
- Round stainless steel exhaust collar.
- UL 1805 Classified, CSA certified to UL 61010 and tested in accordance with ASHRAE 110.

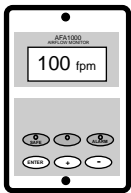


**Vertical Rising Sash**

Width	Item Number
48"	7221000
60"	7321000
72"	7421000

EXHAUST PARAMETERS		80 FPM		100 FPM		80 FPM		100 FPM	
		28-1/2" MAX		28-1/2" MAX		18" MAX		18" MAX	
		SASH OPENING		SASH OPENING		SASH OPENING		SASH OPENING	
Hood Size	Duct Size	CFM	SP	CFM	SP	CFM	SP	CFM	SP
48"	10"	630	0.15	789	0.20	407	0.06	508	0.09
60"	12"	830	0.15	1035	0.20	533	0.05	667	0.07
72"	12"	1025	0.20	1280	0.25	660	0.07	825	0.11

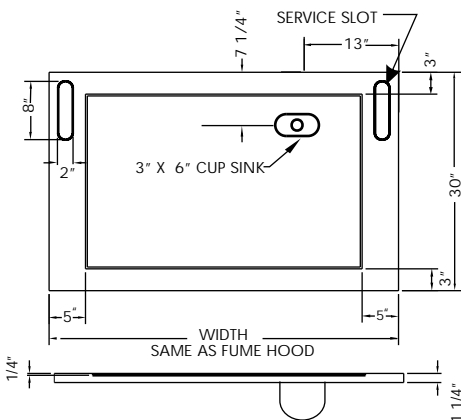
**Audio/Visual Fume Hood Alarm**



Item Number
<b>ALARM04</b>

- The fume hood velocity alarm is used to make sure that the face velocity does not drop below an unsafe level.
- Digital display of face velocity.
- Ships loose.

**Pro Series Work Surfaces**

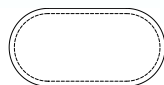


Width	Black Phenolic	Black Epoxy
48"	PFR3048	EFR3048
60"	PFR3060	EFR3060
72"	PFR3072	EFR3072

- Black phenolic or black epoxy work surface with cupsink on right side for Pro Series fume hoods.
- Cup sinks are located for 18" deep fume hood base cabinets.

**Cup Sink Cover**

Black Phenolic	Black Epoxy
<b>PFC0000</b>	<b>EFC0000</b>



- Black phenolic or black epoxy cup sink cover fits over standard 3" x 6" cup sink.

WATER SAVER FIXTURES FOR FUME HOODS

Front Load Assembly



Service	Color	Item Number
AIR	ORANGE	WSF1001
GAS	BLUE	WSF1002
GAS WITH CHECK VALVE	BLUE	WSF1003
VAC	YELLOW	WSF1004
CW RIGID/SWING GOOSENECK	GREEN	WSF1008
CW RIGID/SWING GOOSENECK IN-LINE VB	GREEN	WSF1009

- Assemblies include front load valves with color coded nylon handles and outlet fitting.
- Piping not included.
- Can be plumbed up or down in the field.
- Air, Gas, Gas with internal check valve and Vac: panel mounted with 45° angle hose end.
- C.G.A. & A.G.A. approved for gas.
- WSF1008: Wall mounted 6" rigid swing gooseneck complete with serrated tip (L9RS).
- These fixture assemblies will ship loose for field installation.
- WSF1009: Wall mounted 6" rigid swing gooseneck complete with serrated tip and in-line vacuum breaker (L9RSVB).
- These fixture assemblies will ship loose for field installation.

Copper Tubing	Black Pipe
PIPE001	PIPE002

- 6' copper tubing with compression fittings.
- 6' black piping with 90° elbows.
- Copper tubing and black pipe ships loose.



Corporate Headquarters  
452 Hardy Rd, Brantford ON, Canada N3T 5L8  
T. 519.752.7825

[www.mott.ca](http://www.mott.ca)